



**John  
BOOS**  
Since 1887

ITEM #: \_\_\_\_\_ QTY: \_\_\_\_\_

MODEL #: \_\_\_\_\_

PROJECT NAME: \_\_\_\_\_

121817

3601 S. Banker St. Effingham, IL 62401 • P.O. BOX 609 • Ph: (888) 431-2667 • Fax: (800) 433-2667

## "EUBD-21" UNDERBAR DRAIN BOARDS



### FEATURES:

- STAMPED RIBBED DRAIN BOARDS
- STAINLESS STEEL LEGS AND BRACING WITH ADJUSTABLE BULLET FEET

### CONSTRUCTION:

- TOP: STAINLESS STEEL TOPS ARE TIG WELDED, EXPOSED WELDS ARE POLISHED TO MATCH ADJACENT SURFACE.

### MATERIAL:

- TOP: 18GA 300 SERIES STAINLESS STEEL
- BRACING: STAINLESS STEEL
- LEGS: STAINLESS STEEL
- FEET: PLASTIC



EUBD-1821

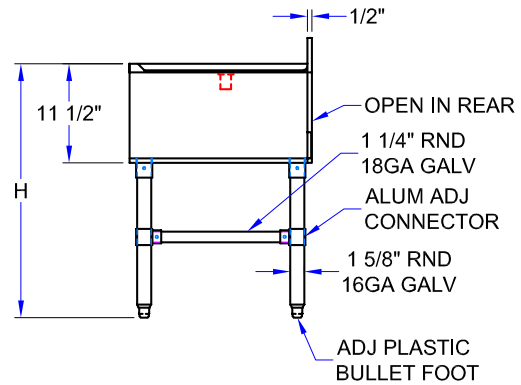
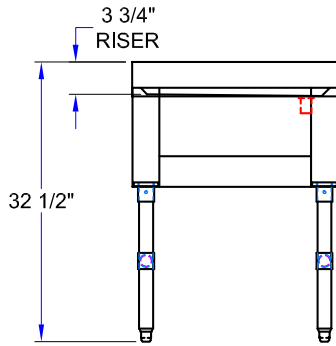
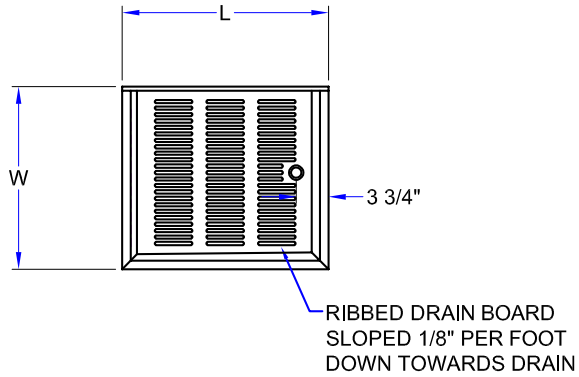
### **UNDERBAR DRAIN BOARDS**

MODEL #	QTY
EUBD-1221	
EUBD-1821	
EUBD-2421	
EUBD-3021	
EUBD-3621	
EUBD-4821	

### **OPTIONAL ACCESSORIES**

MODEL #	QTY
SPEED RAILS	
STAINLESS STEEL LEGS	

# DETAILED SPECIFICATIONS



## UNDERBAR DRAIN BOARDS

MODEL #	LENGTH	WIDTH	HEIGHT	WT. (LBS)
EUBD-1221	12"	21"	29-1/2"	32
EUBD-1821	18"	21"	29-1/2"	37
EUBD-2421	24"	21"	29-1/2"	40
EUBD-3021	30"	21"	29-1/2"	44
EUBD-3621	36"	21"	29-1/2"	48
EUBD-4821	48"	21"	29-1/2"	60

WEIGHTS ARE SUBJECT TO ADDITIONAL PACKAGING

SOME UNITS SHIP UNASSEMBLED FOR REDUCED SHIPPING COST. ALL DIMENSIONS ARE TYPICAL. TOLERANCE +/- .500"  
John Boos & Co. is constantly engaged in a program of improving products and therefore reserves the right to change specifications without prior notice.



3601 S. Banker St. • Effingham, IL 62401 • PO BOX 609 • quotes@johnboos.com

071317

21



[www.johnboos.com](http://www.johnboos.com)